

## EMERGENCY EXIT SIGNS

### ARROW P

**MATERIALS:**

White, grey or black polycarbonate body  
Plexi glass

**MOUNTING:**

Recessed (ceiling)

**POWER SUPPLY:**

Self contained – 220 - 240VAC/50 - 60Hz  
Central battery – 220 - 240VAC/50 - 60Hz; 176 - 275VDC  
Central battery FZLV – 24VDC

**LIGHT SOURCE:**

1W, 2W LED

**CHARGING:**

BASIC: max. 24h  
STANDARD: max. 24h  
PREMIUM: max. 12h; energy-saving electronic charger

**AUTONOMY AND BATTERIES:**

BASIC: 1h or 3h, Ni-Cd 3,6V batteries  
STANDARD: 1h or 3h, Ni-Cd 3,6V batteries  
PREMIUM: 1h or 3h, LiFePO<sub>4</sub> 6,4V batteries

**INSULATION CLASS:**

II or III

**IP RATING:**

IP40

**VIEWING DISTANCE:**

25m

**AMBIENT TEMPERATURE:**

Self-contained:

t<sub>a</sub>: 0°C ÷ 40°C

CB:

t<sub>a</sub>: 0°C ÷ 50°C

**OPTIONS:**

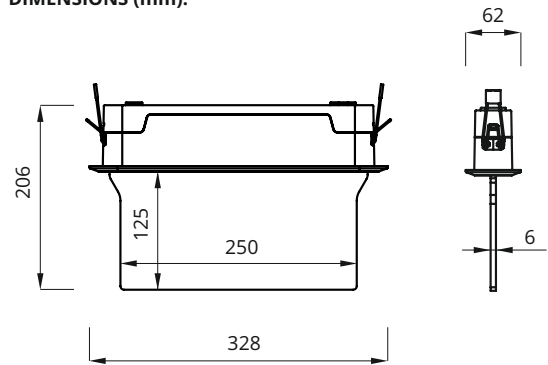
SE – non maintained  
SA – maintained (with an option of connecting as non-maintained)  
AT – autotest  
PT – manual test button  
RU – Rubic UNA central monitoring  
FZLV – central battery FZLV 24VDC  
CB – central battery

**ADDITIONAL INFORMATION:**

LED indicator signalizes mains power supply and battery charge  
Deep discharge protection  
III class of insulation of FZLV version

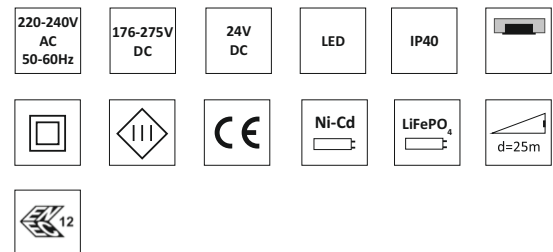
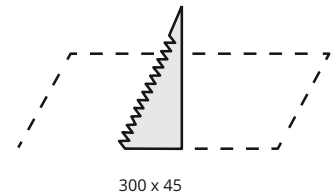


**DIMENSIONS (mm):**



**RECESSING CUT (mm):**

• ceiling



\*pictogram



KM 618355  
BS-EN 60598-2-22

\*1pc of universal pictogram is included in each single box  
Current list of products with Kitemark and ENEC is available at [www.awex.eu](http://www.awex.eu)

## EMERGENCY EXIT SIGNS

### SELF-CONTAINED CONFIGURATION:

CODE	POWER	MODULE	AUTONOMY [h]		MODE	OPTIONS			COLOR		
<b>BASIC</b>											
ARP	1W	E	1	3	SE	PT	X	WH	GR	BL	
<b>STANDARD</b>											
ARP	1W	C	1	3	SA	PT	X	WH	GR	BL	
	2W	C	1	3	SA	PT	X	WH	GR	BL	
<b>PREMIUM</b>											
ARP	1W	B	1	3	SA	AT	RU	WH	GR	BL	
	2W	B	1	3	SA	AT	RU	WH	GR	BL	

### CENTRAL BATTERY CONFIGURATION - NON-ADDRESSABLE

CODE	POWER	MODULE	SYSTEM	OPTIONS			COLOR		
ARP	1W	F	CB	CBS	X	WH	GR	BL	
	2W	F	CB	CBS	X	WH	GR	BL	

### CENTRAL BATTERY CONFIGURATION - ADDRESSABLE:

CODE	POWER	MODULE	SYSTEM	OPTIONS		COLOR		
ARP	1W	Z	CB	ADE	ADP	WH	GR	BL
	2W	Z	CB	ADE	ADP	WH	GR	BL

### FZLV SYSTEM CONFIGURATION:

CODE	POWER	SYSTEM	COLOR		
ARP	1W	FZLV	WH	GR	BL
	2W	FZLV	WH	GR	BL

### LEGEND:

ARP - fixture ARROW P

E - electronic gear for BASIC self-contained fittings

C - electronic gear for STANDARD self-contained fittings

B - electronic gear for PREMIUM self-contained fittings

F - electronic gear for central battery fittings

Z - electronic gear for addressable central battery fittings

SE - non-maintained

SA - maintained (with an option of connecting as non-maintained)

PT - manual test button

X - fitting without additional options

AT - autotest

RU - RUBIC UNA central monitoring

CB - central battery version

CBS - central battery for circuit monitoring

ADE - central battery with ADE address module

ADP - central battery with ADP address module - SMART technology

FZLV - central battery FZLV 24 VDC

WH - white color

GR - grey color

BL - black color