

EMERGENCY EXIT SIGNS

ARROW P

MATERIALS:

White, grey or black polycarbonate body
Plexi glass

MOUNTING:

Recessed (ceiling)

POWER SUPPLY:

Self contained – 220 - 240VAC/50 - 60Hz
Central battery – 220 - 240VAC/50 - 60Hz; 176 - 275VDC
Central battery FZLV – 24VDC

LIGHT SOURCE:

1W, 2W LED

CHARGING:

BASIC: max. 24h
STANDARD: max. 24h
PREMIUM: max. 12h; energy-saving electronic charger

AUTONOMY AND BATTERIES:

BASIC: 1h or 3h, Ni-Cd 3,6V batteries
STANDARD: 1h or 3h, Ni-Cd 3,6V batteries
PREMIUM: 1h or 3h, LiFePO₄ 6,4V batteries

INSULATION CLASS:

II or III

IP RATING:

IP40

VIEWING DISTANCE:

25m

AMBIENT TEMPERATURE:

t_a: 0°C - +40°C

OPTIONS:

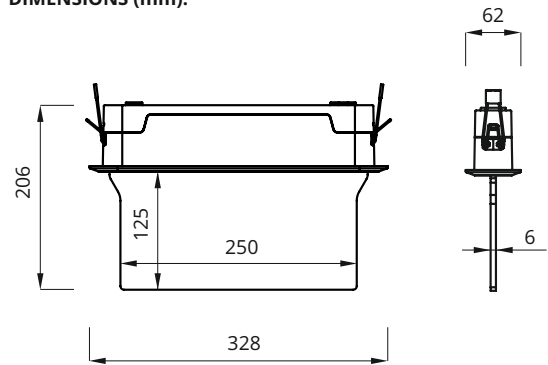
SE – non maintained
SA – maintained (with an option of connecting as non-maintained)
AT – autotest
PT – manual test button
RU – Rubic UNA central monitoring
FZLV – central battery FZLV 24VDC
CB – central battery

ADDITIONAL INFORMATION:

LED indicator signalizes mains power supply and battery charge
Deep discharge protection
III class of insulation of FZLV version

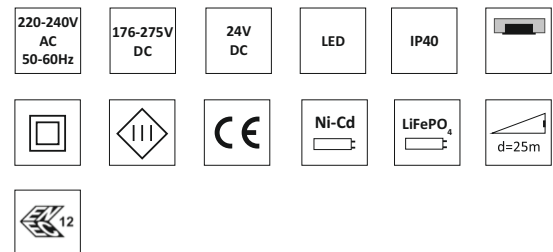
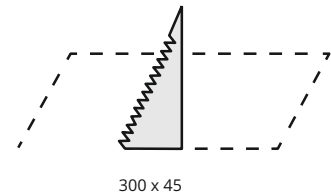


DIMENSIONS (mm):



RECESSING CUT (mm):

• ceiling



*see pictogram



KM 618355
BS-EN 60598-2-22

*1pc of universal pictogram is included in each single box
Current list of products with Kitemark and ENEC is available at www.awex.eu

EMERGENCY EXIT SIGNS

SELF-CONTAINED CONFIGURATION:

CODE	POWER	MODULE	AUTONOMY [h]		MODE	OPTIONS			COLOR		
BASIC											
ARP	1W	E	1	3	SE	PT	X	WH	GR	BL	
STANDARD											
ARP	1W	C	1	3	SA	PT	X	WH	GR	BL	
	2W	C	1	3	SA	PT	X	WH	GR	BL	
PREMIUM											
ARP	1W	B	1	3	SA	AT	RU	WH	GR	BL	
	2W	B	1	3	SA	AT	RU	WH	GR	BL	

CENTRAL BATTERY CONFIGURATION - NON-ADDRESSABLE

CODE	POWER	MODULE	SYSTEM	OPTIONS			COLOR		
ARP	1W	F	CB	CBS	X	WH	GR	BL	
	2W	F	CB	CBS	X	WH	GR	BL	

CENTRAL BATTERY CONFIGURATION - ADDRESSABLE:

CODE	POWER	MODULE	SYSTEM	OPTIONS		COLOR		
ARP	1W	Z	CB	ADE	ADP	WH	GR	BL
	2W	Z	CB	ADE	ADP	WH	GR	BL

FZLV SYSTEM CONFIGURATION:

CODE	POWER	SYSTEM	COLOR		
ARP	1W	FZLV	WH	GR	BL
	2W	FZLV	WH	GR	BL

LEGEND:

- ARP - fixture ARROW P
- E - electronic gear for BASIC self-contained fittings
- C - electronic gear for STANDARD self-contained fittings
- B - electronic gear for PREMIUM self-contained fittings
- F - electronic gear for central battery fittings
- Z - electronic gear for addressable central battery fittings
- SE - non-maintained
- SA - maintained (with an option of connecting as non-maintained)
- PT - manual test button
- X - fitting without additional options
- AT - autotest
- RU - RUBIC UNA central monitoring
- CB - central battery version
- CBS - central battery for circuit monitoring
- ADE - central battery with ADE address module
- ADP - central battery with ADP address module - SMART technology
- FZLV - central battery FZLV 24 VDC
- WH - white color
- GR - grey color
- BL - black color