



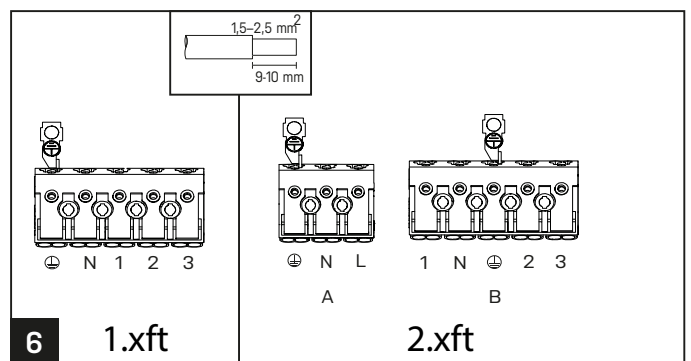
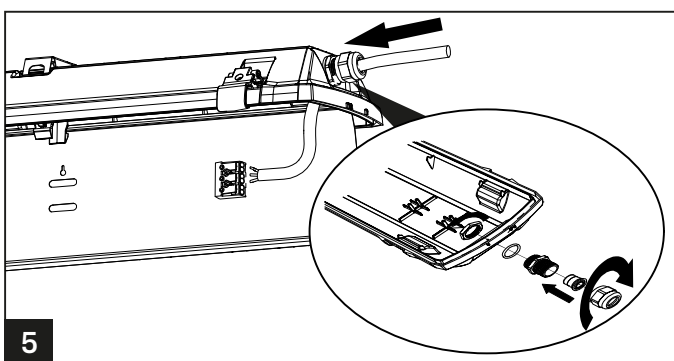
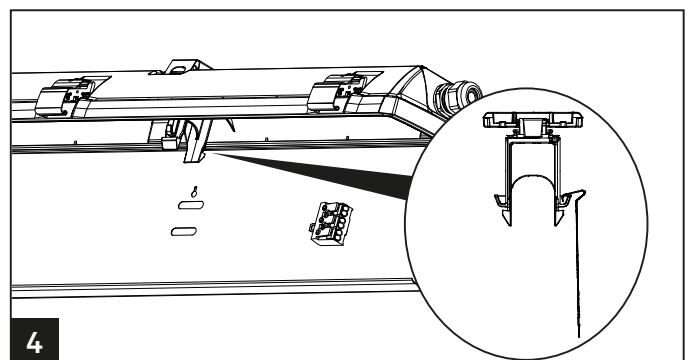
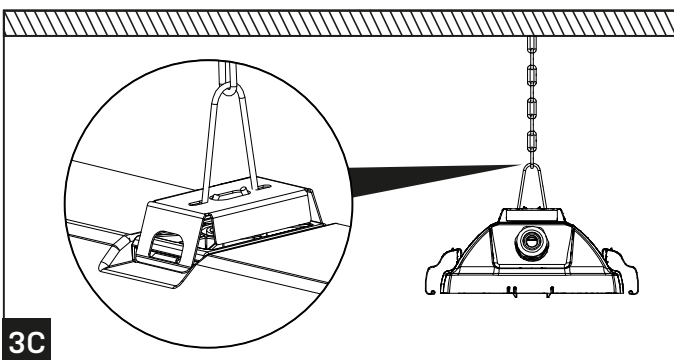
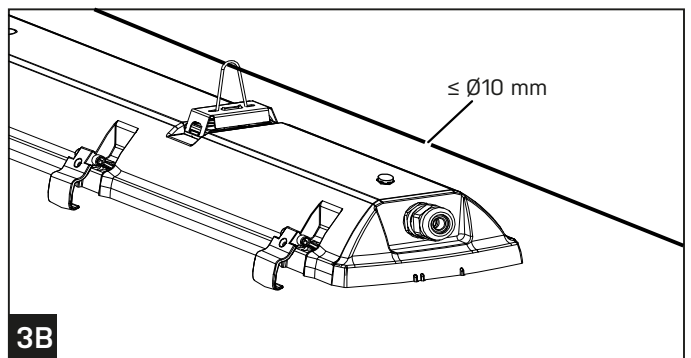
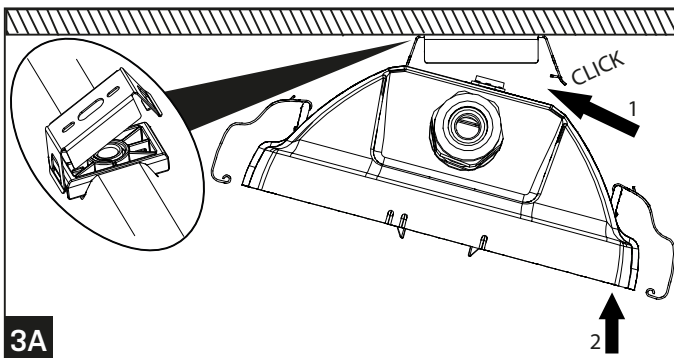
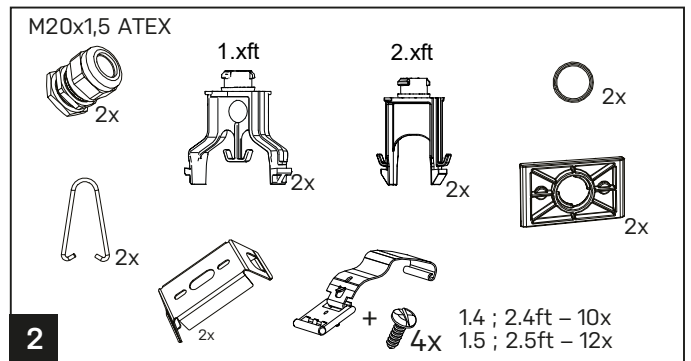
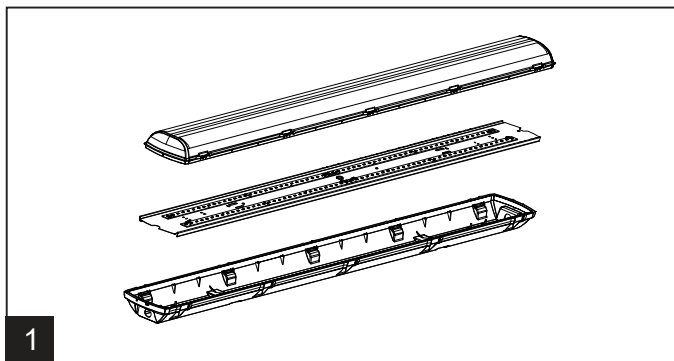
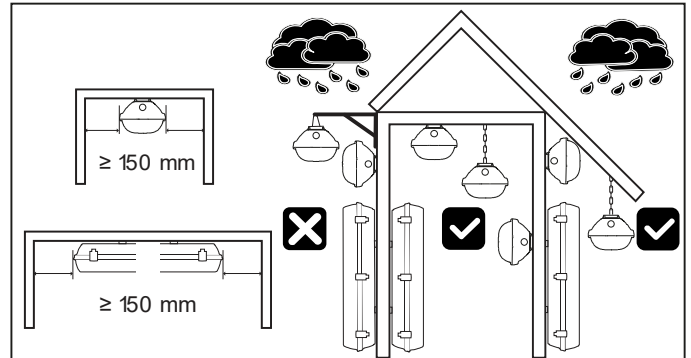
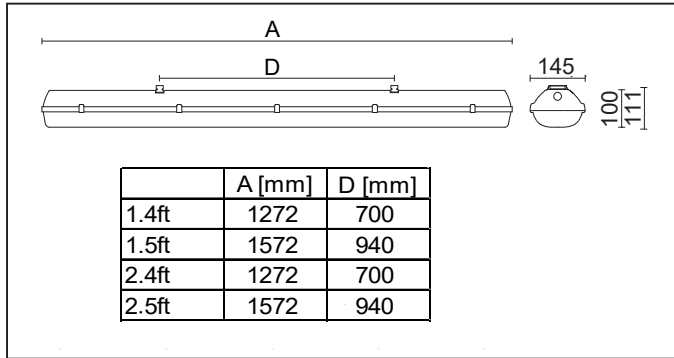
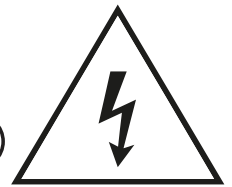
PRIMA LED Ex

PRIMA LED Ex Mxh

IP66



220-240V
50/60Hz





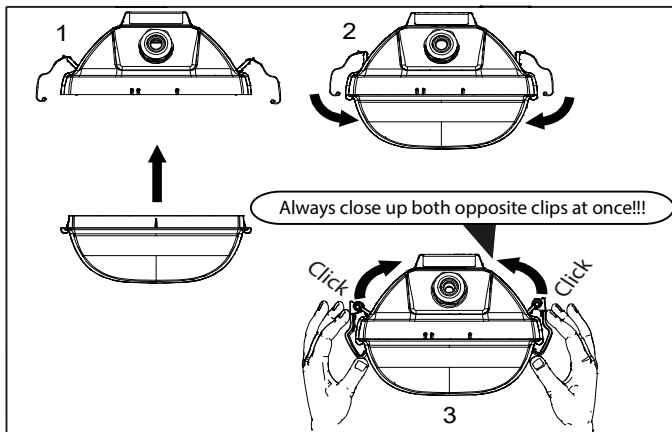
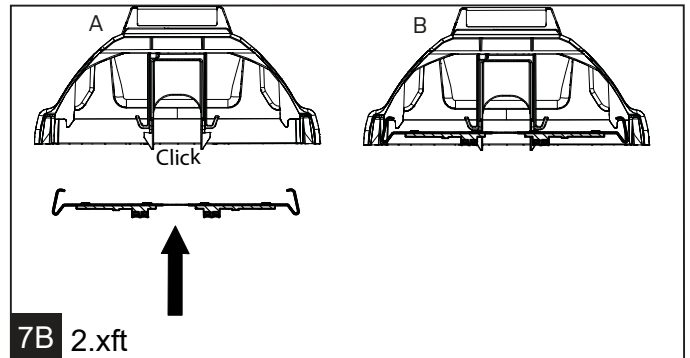
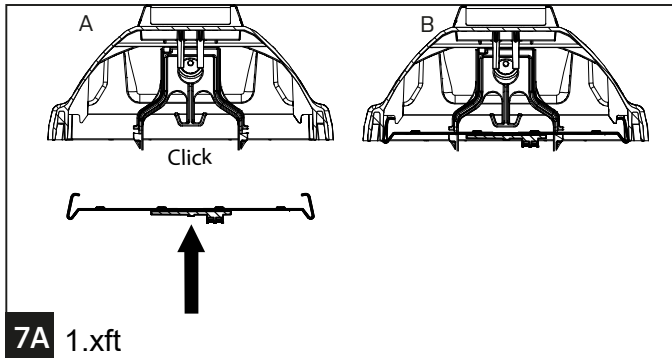
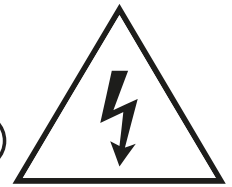
PRIMA LED Ex

PRIMA LED Ex Mxh

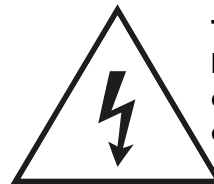
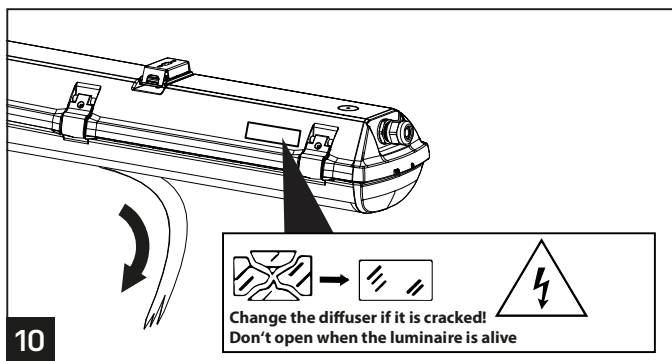
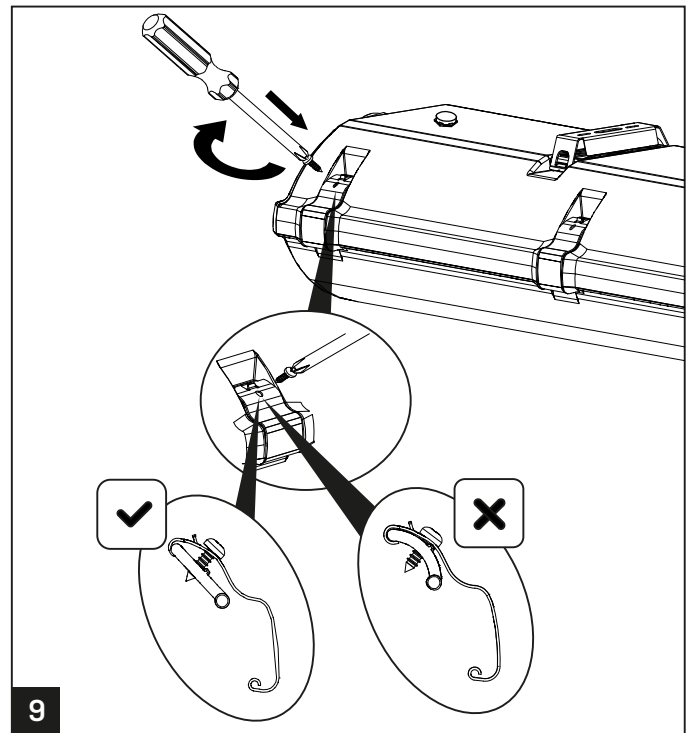
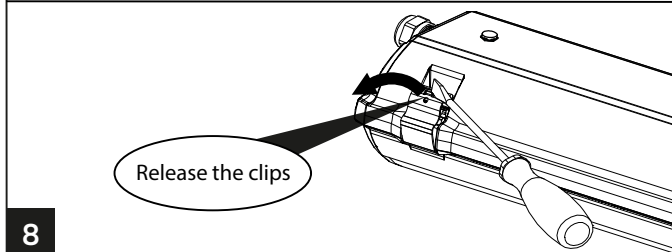
IP66



220-240V
50/60Hz



Always close the clips symmetrically from the middle to the sides of the lamp!





The light source in this luminaire may be replaced only by the manufacturer or its contractual service technician or similarly qualified person!

Installation can only be carried by an authorized person and according to the mounting instructions. Any other installation is considered to be improper. For right finished mounting is necessary ensure by screws the clips holding the diffuser - shown picture no. 10. For well installation and good luminaire work is necessary ensure a planarity of a mounting surface. Make sure that the luminaire is always disconnected from the power supply before the installation work. Do not use the luminaire if damaged or if damaged the power cable. Only damp microfiber cloth can be used for cleaning. Technical changes are subjected without notice. Do not dispose the luminaire or its parts as household waste, but make a proper recycling.

Technical instructions for installing of PRIMA LED Ex, PRIMA LED Ex Mxh luminaires

For installation and operation in potentially explosive environments, safety instructions as outlined in national laws and standards must be followed.

1. Remove the luminaire from the transport packaging.
 2. Loosen the steel clips and disassemble the diffuser.
 3. Push the hooks on the spacer holding the luminaire reflector together, and remove the reflector from the luminaire.
 4. Assemble the empty housing using one of the methods described in the manual.
 5. Pull the connection cable through the M20x1.5 ATEX gland. Tighten the cable gland.
The connection cable must have an outer diameter of between 7 mm and 13 mm.
This is crucial for the cable gland to work properly.
 6. Connect the connection cable to the free side of the terminal block as follows:

on the L1 terminal – phase conductor	on the L1, L2, L3 terminal – phase conductor
on the N terminal – neutral conductor	on the N terminal – neutral conductor
on the  terminal – earthing conductor	on the  terminal – earthing conductor
- Ensure that proper wire stripping (9 mm – 10 mm) and proper insertion into the terminal block is carried out. The terminal block permits use of wires with a cross-section of 0.5 – 2.5 mm² (AWG 13 to AWG 20). If wiring is continuous, keep the maximum number of luminaires to hand according to Table 2.
7. Put the reflector back into the luminaire.
 8. Reassemble the diffuser, close the steel clips and secure them with the corresponding screws.

The manufacturer is not responsible for damage caused by failure to observe these technical instructions!

1. Using luminaires

These luminaires are used in potentially explosive environments:

Tab.1


	Description of external influences	Area classification	
		Description	According to standard
Risk of explosion – flammable dust	BE3N1	ZONE 22	EN 60 079-17 ed.4:2014 EN 60 079-14 ed.4:2014 EN 60 079-10-2 ed.2:2015
Risk of explosion – flammable gas and vapour	BE3N2	ZONE 2	EN 60 079-10-1:2009 EN 60 079-14 ed.4:2014


The luminaires are designed for ambient temperatures ranging from:

Variants: 1.4ft 3200/xxx, 1.4ft 4400/xxx, 2.4ft 6400/xxx, 2.4ft 8800/xxx, 1.5ft 4000/xxx,
1.5ft 5500/xxx, 2.5ft 8000/xxx, 2.5ft 11000/xxx = -25° ≤ Ta ≤ +55°

Mxh Variants: 1.4ft 3200/xxx, 1.4ft 4400/xxx, 1.5ft 4000/xxx, 1.5ft 5500/xxx = 0° ≤ Ta ≤ +50°
2.4ft 6400/xxx, 2.5ft 8000/xxx = 0° ≤ Ta ≤ +45°
2.4ft 8800/xxx, 2.5ft 11000/xxx = 0° ≤ Ta ≤ +40°

xxx - Colour temperature of LED

 II 3G Ex nR IIC T6 Gc

 II 3D Ex tc IIIC T70°C Dc

2. Conditions of use and maintainance

Please refer to the standards listed in Table 1 if using luminaires in the environments mentioned above.

- The specific conditions mentioned in the certificates of separately certified components have to be fulfilled.
- The luminaire must not be opened if the terminal block is voltage-carrying. Change the diffuser if it is cracked.
- LED components contained in this luminaire shall only be replaced by the manufacturer or his service agent or a similar qualified person and only with original spare parts.
- If the gasket is damaged it is necessary to replace it.
- Replacement of parts affecting explosion protection is prohibited.
- Disconnecting and replacing of the battery in the luminaire is only possible out of the environment with explosion hazard.
- The opening in the unused cable gland must be sealed with an ATEX plug.
- Potential electrostatic charging hazard. In potentially explosive environments, the luminaire may only be cleaned with a damp cloth and the person carrying out the cleaning must be earthed.
- The recommended fuse rating for continuously wired luminaires is type B; 10 A or 16 A.
- The luminaire PRIMA LED Ex is approved for single and triple phase continuous wiring.
Maximum allowed number of luminaires connected on one phase is listed in the table below.

Tab.2

Luminaire type	Automatic cut-out 10A	Automatic cut-out 16A
1.4ft	31	50
1.5ft	18	30
2.4ft	18	30
2.5ft	18	30

LIGHT FITTING WITH AWEX'S EMERGENCY MODULE

In the light fitting is used the emergency module **UNILED BM STANDARD**

Technical data of the emergency module:

Rated supply voltage	220 - 240 V AC
Mains frequency:	50 / 60 Hz
Power output of emergency modules:	3 W
Ambient temperature (ta):	0 °C - +40 °C
Max. casing temperature of the emergency module (tc):	0 °C - +70 °C
Maintenance-free high-temperature cells:	NiCD
Accumulator voltage	3,6 V
Accumulator capacity:	1,5 Ah - 1 h 3 Ah - 3 h
Battery charge time:	24h
Charge current:	70mA - 1 h ; 165mA - 3 h
LED current in emergency mode:	1000 mA
LED voltage in emergency mode:	3 V
Cross-sections of connecting wires:	0,5 - 1,5 mm ²

Characteristic of the emergency module:

Automatic switchover between network and emergency supply of the light fitting.
LED signalling of the condition of the emergency module.
Protection from complete discharge of the accumulator.
Small dimensions and simple mounting.

Mounting and operation:

The accumulator must be disconnected from the emergency module during the storage.

The voltage of one cell must not drop below 1,05V.

The replacement of the battery is necessary if the light fitting does not meet the nominal service life – after 4 years at the most.

In order to activate new batteries, 3 full charging-discharging are needed to make sure batteries achieve their rated capacity. The accumulator must be charged 24 hours.

The function of the emergency module has to be checked every month – if the light fitting does not work check the light source and the accumulator.

Do the function test by disconnecting the mains.

To prevent the discharge of the accumulator connect the accumulator to the module only when the light fittings is connected to the mains.

Advice:

The manufacturer is not responsible for the defects caused by improper handling of the light fitting.

The light fitting must be connected to electric grid by a professional technician in accordance with valid standards and regulations.

Do not check the duration test sooner than 36 hours after connecting the light fitting to the electric grid.

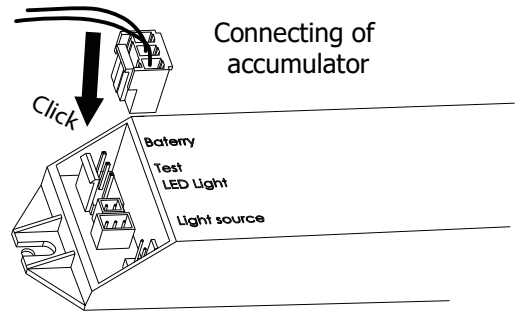
The emergency module only works correctly when the accumulator is fully charged.

Maximum current in through-wiring is 10 A for cross-section 1,5 mm² and 16 A for 2,5 mm².

In case of problems or doubts, contact your supplier!

LED indicator of UNILED BM STANDARD

LED color	Signal	Status
green	no signal	emergency mode / failure mode
	shining	system OK (AC mode)



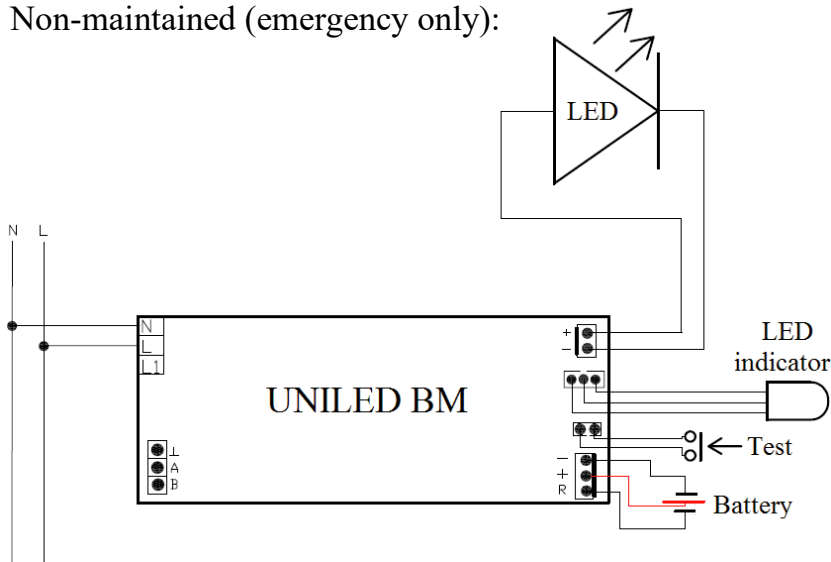
Options table of UNILED BM STANDARD:

Type	Duration time	Accumulator	Power output	Luminous flux in emergency mode
BM/3/1/PT/CD	1 h	NiCd 3,6 V; 1,5 Ah	3 W	450 lm
BM/3/3/PT/CD	3 h	NiCd 3,6 V; 4 Ah	3 W	450 lm

Wiring diagram of the emergency module:

!!! The light fitting and the emergency module must be supplied from the same phase!!!

Non-maintained (emergency only):



Maintained:

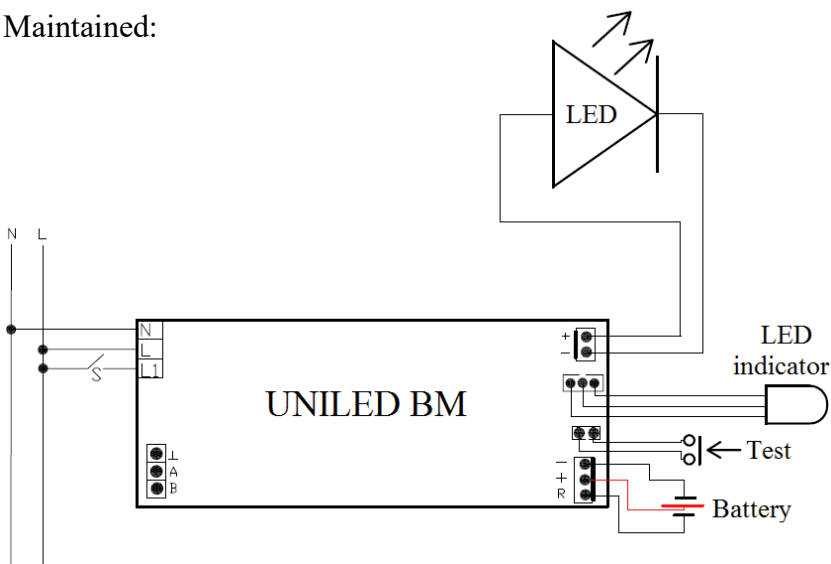


Table for customer's records of the course of tests and service life of emergency module of light fitting.



Type:		Date of installation:				Place of installation:			
month	test	1 st YEAR		2 nd YEAR		3 rd YEAR		4 th YEAR	
		date	signature	date	signature	date	signature	date	signature
1	FUNCTION								
2	FUNCTION								
3	FUNCTION								
4	FUNCTION								
5	FUNCTION								
6	FUNCTION								
7	FUNCTION								
8	FUNCTION								
9	FUNCTION								
10	FUNCTION								
11	FUNCTION								
12	FUNCTION								

month	test	5 th YEAR		6 th YEAR		7 th YEAR		8 th YEAR	
		date	signature	date	signature	date	signature	date	signature
1	FUNCTION								
2	FUNCTION								
3	FUNCTION								
4	FUNCTION								
5	FUNCTION								
6	FUNCTION								
7	FUNCTION								
8	FUNCTION								
9	FUNCTION								
10	FUNCTION								
11	FUNCTION								
12	FUNCTION								

EU DECLARATION OF CONFORMITY

No.:1/2/22

Product model/product: Industrial LED Ex luminaire, IP66

 II 3G Ex nR IIC T6 Gc
 II 3D Ex tc IIIC T70°C Dc

Name and address of the manufacturer: **TREVOS, a.s.**
Nová Ves 34, 511 01 Turnov, Czech Republic

This declaration of conformity is issued under the sole responsibility of the manufacturer.

Object of the declaration: **PRIMA LED Ex, PRIMA LED Ex Mxh**
modification: DALI, 1F, 3F, Mxh, 3F Mxh

1.4ft PCc 3200/xxx, 4400/xxx, 2.4ft PCc 6400/xxx, 8800/xxx,
1.5ft PCc 4000/xxx, 5500/xxx, 2.5ft PCc 8000/xxx, 11000/xxx - 1F, 3F -25°C≤Ta≤+55°C
2.4ft PCc 8800/xxx, 2.5ft PCc 11000/xxx - Mxh 0°C ≤Ta≤+40°C
2.4ft PCc 6400/xxx, 2.5ft PCc 8000/xxx - Mxh 0°C ≤Ta≤+45°C
1.4ft PCc 3200/xxx, 4400/xxx, 1.5ft PCc 4000/xxx, 5500/xxx - Mxh 0°C ≤Ta≤+50°C

xxx - Colour temperature of LED

The object of the declaration described above is in conformity with the relevant Union harmonisation legislation:

	2014/34/EU including amendments 2011/65/EU including amendments 2009/125/EC including amendments
--	--------------------------------------------------------------------------------------------------------

References to the relevant harmonised standards used or references to the other technical specifications in relation to which conformity is declared:

	European Standards
EN 62471:2008	EN IEC 60079-15:2019
EN 55015 ed.5:2019	EN 60079-31:2014
EN 61000-3-2 ed.5:2019	EN IEC 60079-0:2018
EN 61000-3-3 ed.3:2013	EN 60598-1 ed.6:2015+ A1:18
EN 61547 ed.3:2013	EN 60598-2-1:1989
	EN 60598-2-22:2014

Complementary information:

ATEX certificate TÜV CY 22 ATEX 0206610 X of 2022-02-18
TÜV CYPRUS Ltd, 2 Papaflessa Str., 2235 Latsia, Nicosia.

Place of issue: Turnov

Manufacturer representative:
Jaroslav Marek

Date of issue: 21.2.2022

Position: certification


TREVOS, a. s.
Nová Ves 34
511 01 Turnov
IČO: 07829965 