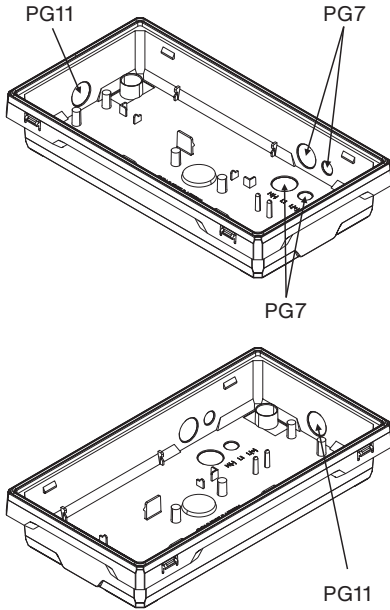


ETS/RS,RU



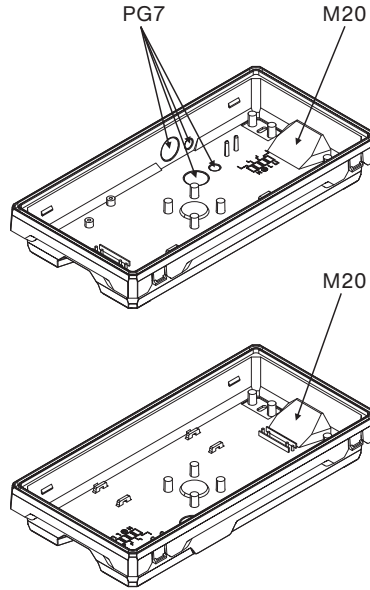
ETS/CB



ETE/RS,RU



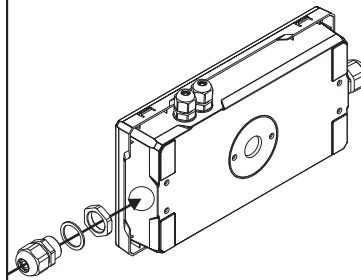
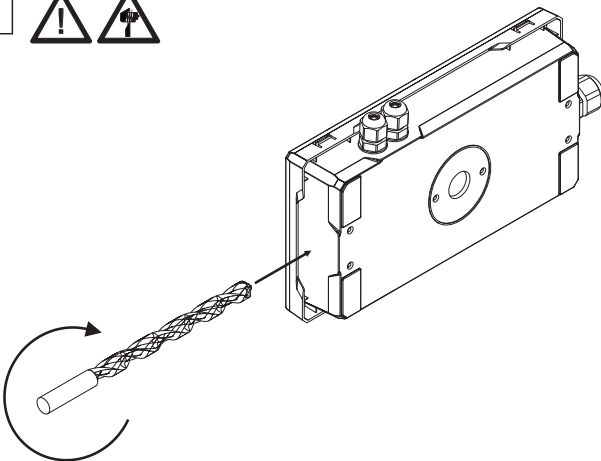
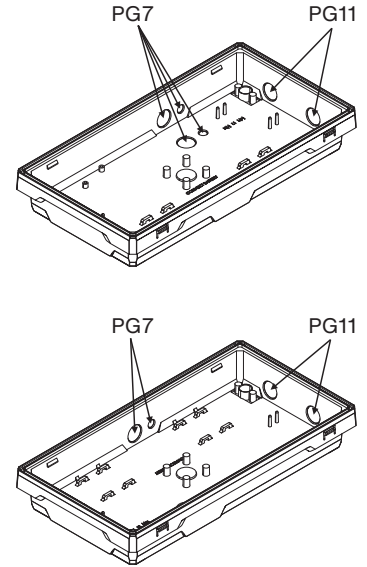
ETE/CB



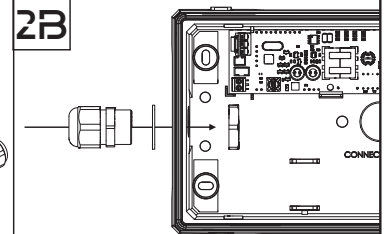
ETL/RS,RU



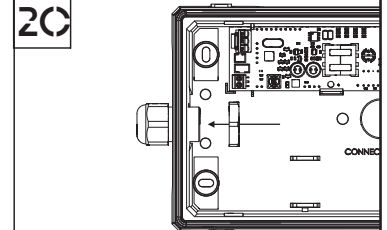
ETL/CB



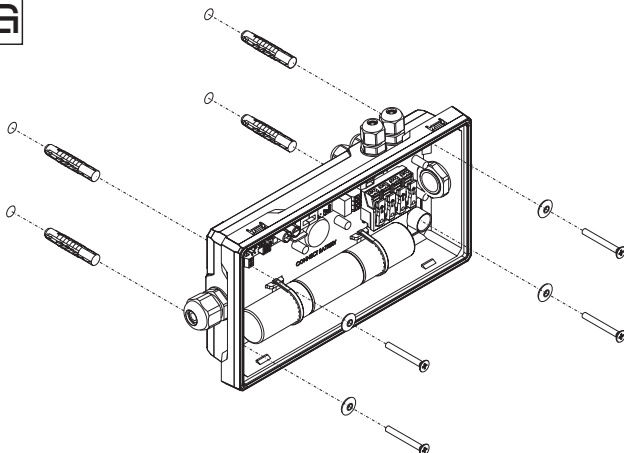
2B



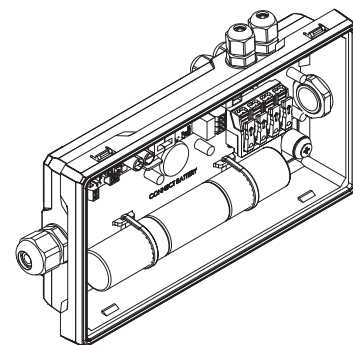
2C



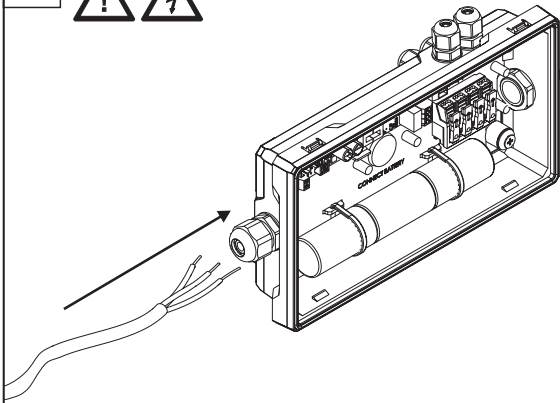
3a



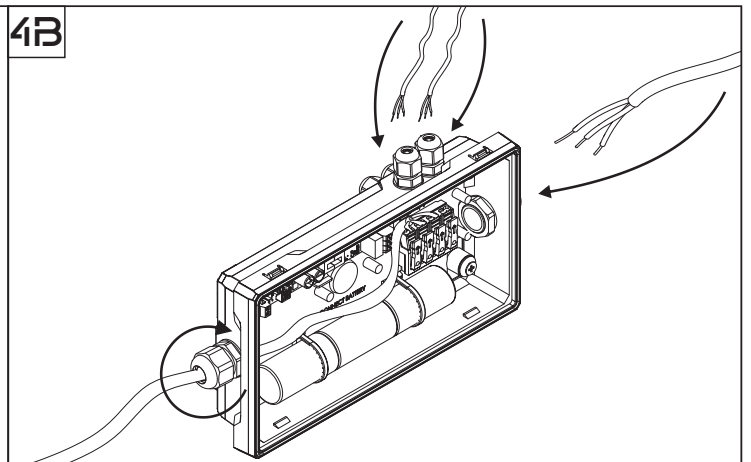
3B



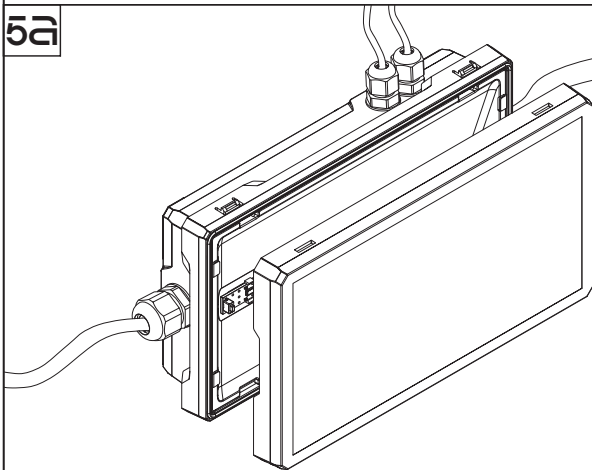
4a 



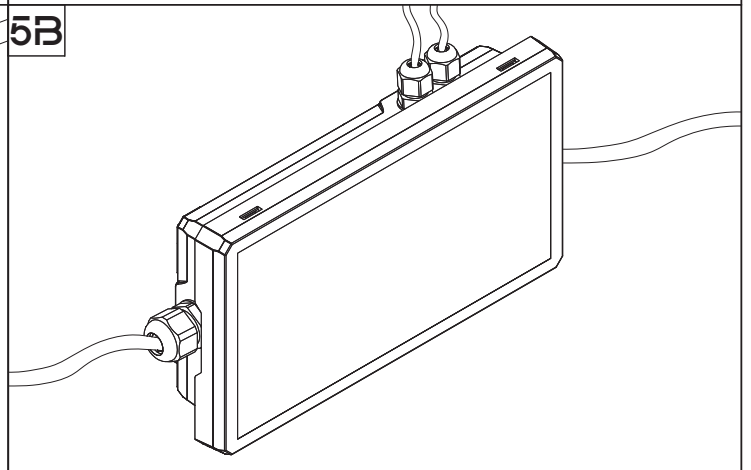
4b



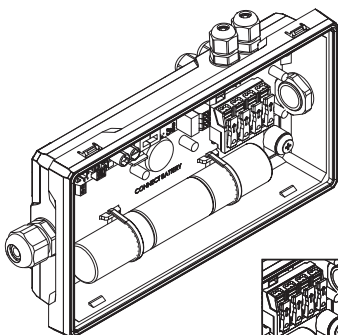
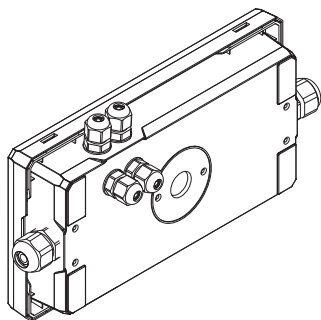
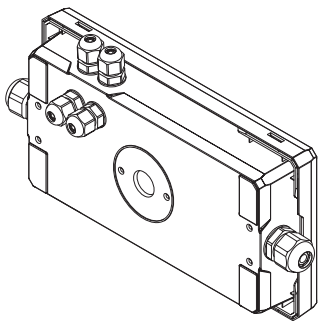
5a



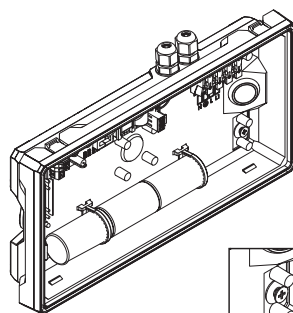
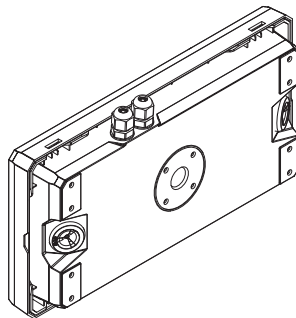
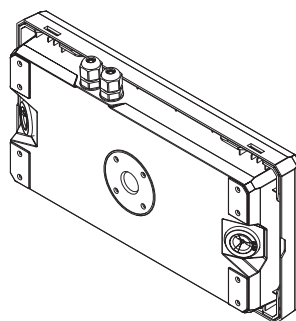
5b



ETS



ETE



ETL

